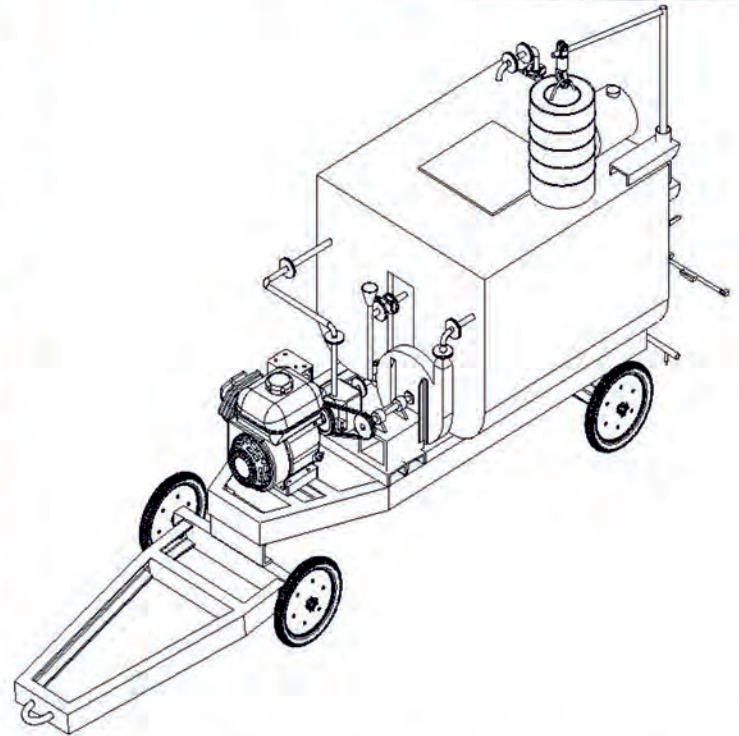


# BITUMEN SPRAYER



## TROLLEY TYPE BITUMEN SPRAYER WITH TOW BAR

- ☞ Insulated Bitumen Tank of 3000 ltrs. capacity.
- ☞ 'KIRLOSKAR' make New Diesel Engine of 8 HP.
- ☞ Option of Air Blower / Air Compressor
- ☞ LAP (Low Air Pressure) Burner suitable for LDO & Diesel Fuel.
- ☞ Hand Spray Bar with Nozzle.
- ☞ Trolley with 4 nos. pneumatic tyres & tow bar.
- ☞ Chain Pulley Block with stand for handling bitumen drums.
- ☞ Sprayer with Air Compressor is supplied with Air Hose that facilitates cleaning of road surface prior to bitumen spraying.
- ☞ Suitable for Bitumen and Emulsion Spraying



Shed No. 6, Pushkar Cottage Industrial Park, Off S. P. Ring Road, Ramol, Ahmedabad-382449, Gujarat (India)  
Mobile: (+91) 97125 83240

Email: [exports@spmachines.com](mailto:exports@spmachines.com), [spenterprise22@gmail.com](mailto:spenterprise22@gmail.com)

Website: [www.spmachines.com](http://www.spmachines.com)